



BATHROOM, INLINE & DRYER BOOSTER FANS

For Condominium & Residential Buildings

Vancouver • Victoria • Kelowna

Residential, Tract and Multi-Level Residential Ventilation Products

LX Prestige Series / LQF Series / EZM Premium Series / EZ Delux Series
XTI Twin Intake Inline / XDF Xlerator Dryer Booster Fans & Accessories

EFFECTIVE: January 1, 2011

REPLACES: March 15, 2010

www.ehpricesales.com

www.lextonfans.com

FANS

LX Prestige Series 70, 90 & 110 CFM Quiet Bath Fans	3
LQF Series 140 & 160 CFM Quiet Ventilators	4
EZM Premium Series 50 & 70 CFM Quiet Bath Fans	5
EZ Deluxe Series 90 & 110 CFM Bath Fans	6

TWIN INTAKE

XTI Twin Intake Twin Intake Inline Ventilator	7
--	---

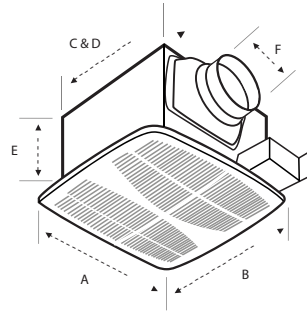
DRYER BOOSTER FANS & ACCESSORIES

XDF Xlerator Dryer Booster Fans 200 & 300 CFM Dryer Booster Fans	8
FS Pressure Switch Electrical Rating @ 60Hz.- Sensing Switch	9
CS Amp Sensors No Delay & 5 Minute Time Delay Amp Sensors	9

LX

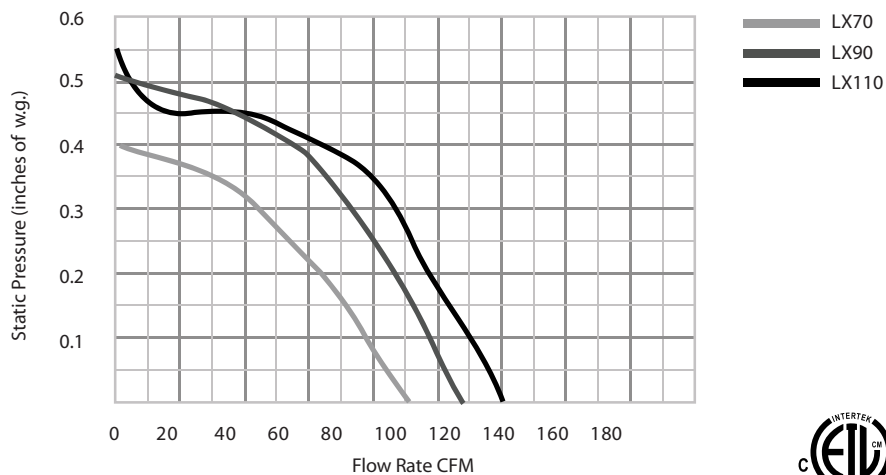
PRESTIGE Series
LX70 LX90 LX110

Very quiet ventilators with painted galvanized steel housing & white polymeric grille. 4 pole plug in motor with lifetime lubrication.



MODEL	GRILLE A x B	HOUSING C x D x E	DUCT F
LX70	11 9/16" x 11 9/16"	9 3/16" x 9 7/16" x 7 5/8"	4"
LX90	11 9/16" x 11 9/16"	9 3/16" x 9 7/16" x 7 5/8"	4"
LX110	11 9/16" x 11 9/16"	9 3/16" x 9 7/16" x 7 5/8"	4"

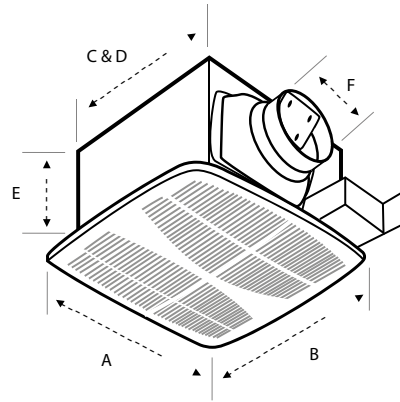
MODEL	Airflow CFM	Sones at .1" SP	Power (watt)	Current (amps)	RPM (nominal)	Electrical Rating	Room Capacity
LX70		0.3	17.2	0.159	975	120V/60Hz	80 sq.ft.
LX90		0.7	23.7	0.160	1110	120V/60Hz	100 sq.ft.
LX110		1.0	28.2	0.252	1375	120V/60Hz	120 sq.ft.



LQF

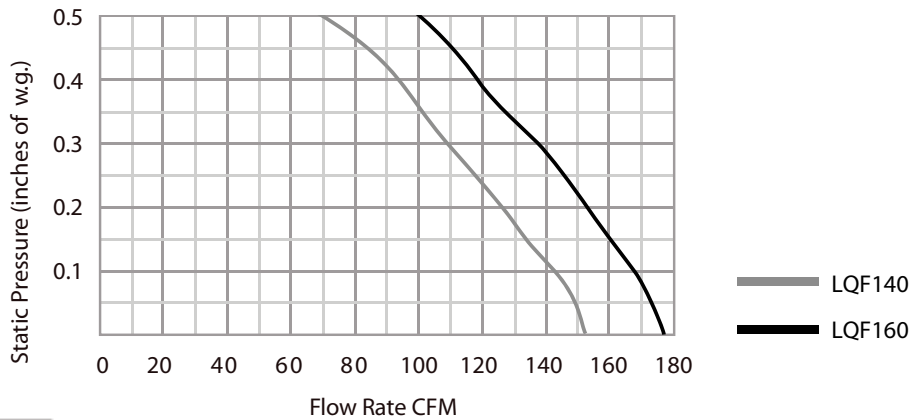
LQF Series
LQF140 LQF160

Quiet ventilating fan; ceiling mount type rated for continuous run. Motor with thermal-cutoff fuse. Rust proof paint, galvanized steel body with 4" diameter duct adapter. Available in 140 & 160 CFM. 120V/60Hz Electrical Rating



MODEL	GRILLE A X B	HOUSING C X D X E		DUCT F
LQF140	13 3/4" X 13 3/4"	13" X 13" X 7 7/8"		4"
LQF160	13 3/4" X 13 3/4"	13" X 13" X 7 7/8"		4"

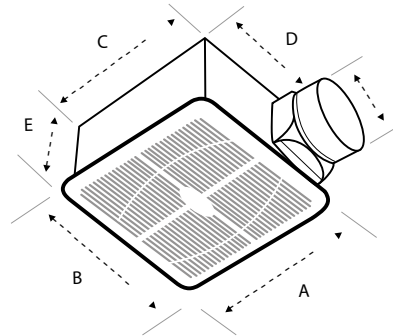
MODEL	CFM	SONES	CURRENT	POWER	RPM	ROOM CAPACITY
LQF140	140	1.5	0.20	42	750	130 sq.ft.
LQF160	160	2.5	0.24	55	960	160 sq.ft.



EZM

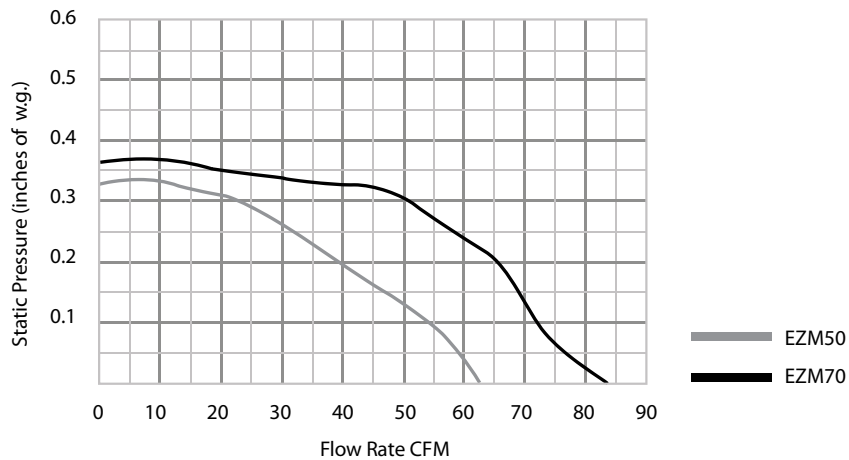
PREMIUM Series
EZM50 EZM70

Premium ventilating fan; ceiling or wall mount. Galvanized steel. Detachable 4" diameter ABS duct adapter. Attractive grille design, using white ABS material. Removable motor 4 pole capacitor equipped with thermal cutoff, rated for continuous run. Available in 50 & 70 CFM. 120V/60Hz Electrical Rating



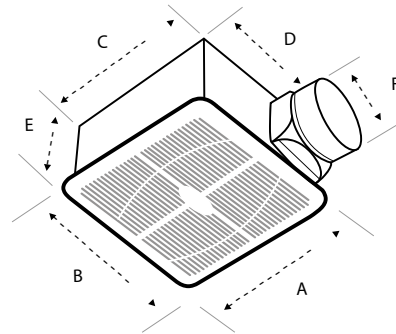
MODEL	GRILLE A X B	HOUSING C X D X E		DUCT F
EZM50	10 1/2" X 10 1/2"	8 1/4" X 8 1/4" X 4 3/4"		4"
EZM70	10 1/2" X 10 1/2"	8 1/4" X 8 1/4" X 4 3/4"		4"

MODEL	CFM	SONES	POWER	CURRENT	RPM	ROOM CAPACITY
EZM50	50	0.6	22	0.18	975	40-55 sq.ft
EZM70	70	1.5	24	0.21	1020	70-75 sq.ft.



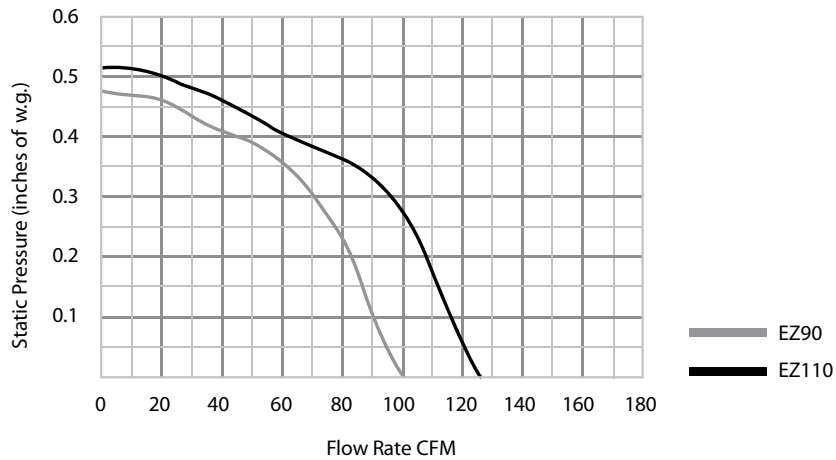
EZ DELUXE Series
EZ90 EZ110

Deluxe ventilating fan; ceiling or wall mount galvanized steel. Detachable 4" diameter duct adapter. Attractive grille design, using white ABS material. Removable motor is permanently lubricated. 4pole capacitor type equipped with thermal cutoff. Rated for continuous run. Available in 50 & 70 CFM. 120V/60Hz Electrical Rating



MODEL	GRILLE A X B	HOUSING C X D X E		DUCT F
EZ90	10 1/2" X 10 1/2"	8 1/2" X 8 1/2" X 5 3/4"		4"
EZ110	10 1/2" X 10 1/2"	8 1/2" X 8 1/2" X 5 3/4"		4"

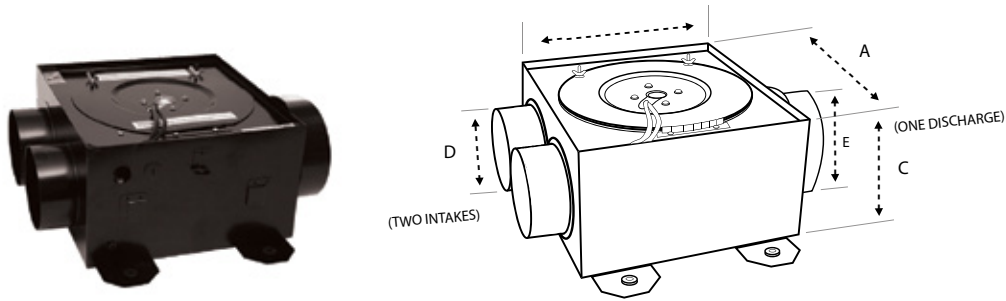
MODEL	CFM	SONES	CURRENT	POWER	RPM	ROOM CAPACITY
EZ90	90	2.5	0.127	13	1050	45-60 sq.ft.
EZ110	110	3.5	0.159	20	1100	60-80 sq.ft.



XTI

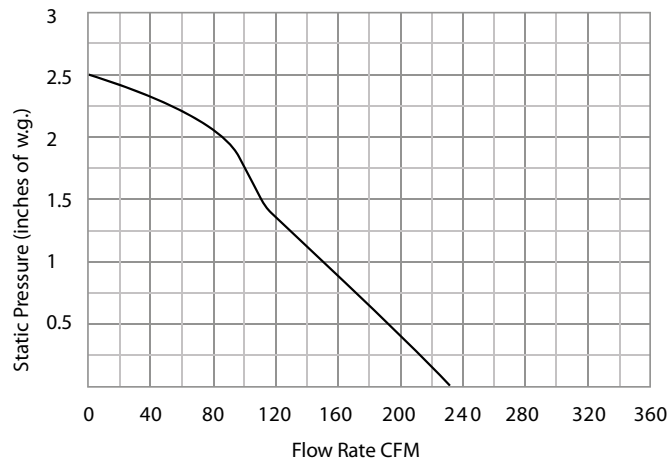
**XTI Xlerator Twin Intake Inline Ventilator
XTI200**

Dual intake fan that can be ceiling or wall mount.
Designed for long duct runs. Designed to exhaust two separate intake ports with only one exhaust outlet.
120V/60Hz Electrical Rating.



MODEL	HOUSING A X B X C	INTAKE D	DISCHARGE E
XTI200	10 1/2" X 11" X 6"	2 X 4"	5"

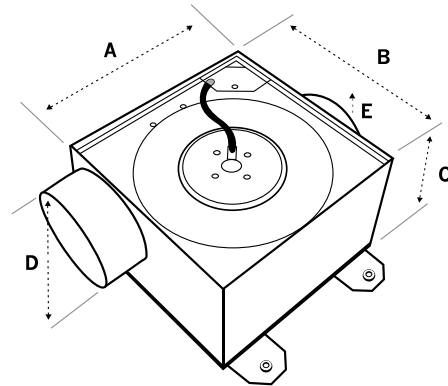
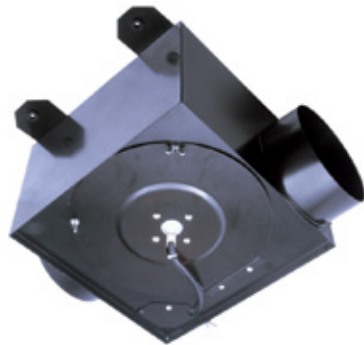
MODEL	CFM	CURRENT	POWER	RPM
XTI200	200	0.9	115	2600



XDF

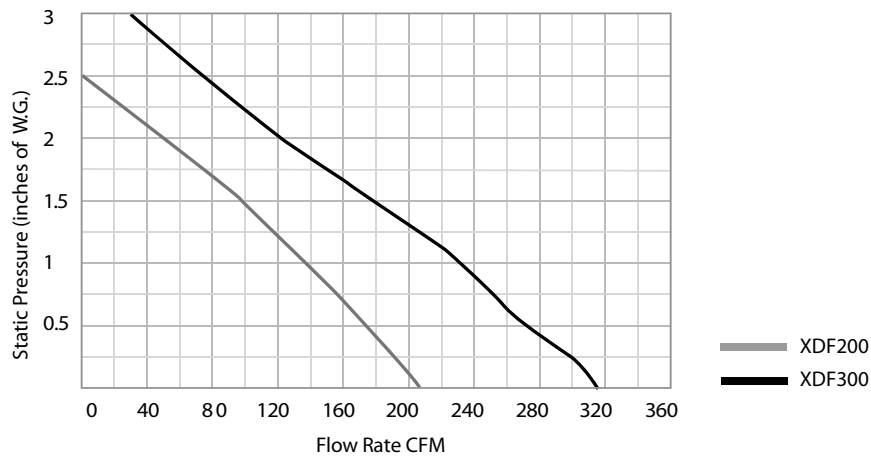
XLERATOR Series Dryer Booster Fan
XDF200 XDF300

European designed external rotor motor / blower technology with superior air performance. 120V/60Hz Electrical Rating. Control systems sold separately (amp sensor or pressure switch).



MODEL	HOUSING A X B X C	INTAKE D	DISCHARGE E
XDF200	10 1/2" X 11" X 6"	5"	5"
XDF300	12" X 12" X 8"	6"	6"

MODEL	CFM	CURRENT	POWER	RPM
XDF200	200	0.95	109	2550
XDF300	300	1.4	159	2600



FS

PRESSURE SWITCH FS-751-335

The XDF-PS (FS-751-335) pressure switch monitors the clothes dryer operation. The XDF series dryer booster fan will activate when the dryer begins to operate. The pressure switch is preset to cycle at ten minute intervals and the dryer booster fan will continue to operate until the dryer turns off.

Operating temperature range: -40° to 180°F (-40.0 and 82.2°C).
Life: 100,000 cycles minimum at 1/2 PSI maximum pressure, each cycle at maximum rated electrical load.
Electrical rating @ 60Hz.- sensing switch



AP

AMP SENSOR XDF-C (no delay) XDF-CT5 (5 minute delay off)

AC high current switch directly controls AC loads of dryer booster fans in response to the current of a monitored AC circuit. These models are solid state current switches with N.O. triac outputs to control high current line voltage AC leads.

The device is designed to mount in a standard electrical box.





e.h.price
SALES

BRITISH COLUMBIA SALES OFFICES

VANCOUVER SALES OFFICE

8038 Glenwood Drive
Burnaby, BC V3N 5E9

Ph: 604.777.1712 Fax: 604.777.1713
Email: vancouver@ehpricesales.com
Website: www.ehpricevancouver.com

VICTORIA SALES OFFICE

475 Tennyson Place
Victoria, BC V8Z 6S8
Toll Free: 1.877.288.7744

Ph: 250.475.1500 Fax: 250.475.1502
Email: victoria@ehpricesales.com
Website: www.ehpricevictoria.com

KELOWNA SALES OFFICE

#130-397 Penno Road
Kelowna, BC V1X 7W5

Ph: 250.765.7226 Fax: 250.765.7224
Email: kelowna@ehpricesales.com
Website: www.ehpricekelowna.com



LOCAL DELIVERY AVAILABLE | CONTACT YOUR E.H.PRICE SALES REPRESENTATIVE FOR MORE INFORMATION



CANADIAN HEAD OFFICE

e.h.price
LIMITED

638 Raleigh Street
Winnipeg, Manitoba Canada R2K 3Z9
Ph: 204.669.4220 Fax: 204.663.2715

- Canadian Head Office, Laboratory, & Manufacturing Facilities in Winnipeg, Manitoba
- Sales Offices or Representation in all major Canadian cities

Product Improvement is a continuing endeavour at Price. Therefore, specifications are subject to change without notice. Consult your E.H. Price Sales representative for current specifications or more detailed information.

Warranty: The Company warrants and guarantees that all goods within this brochure that have been manufactured by the Company have been manufactured in accordance with the specifications published herein and will be free from defects in material and workmanship for a period of twelve (12) months from the Bill of Lading issued by the Company. The Company will replace defective product at its option, but will not be responsible for labor or material charges in replacing product or consequential damages. Any installation not conforming with the Company's specifications, manuals, bulletins or instructions or any misuse or any modification not authorized by the Company voids this warranty. This warranty is in lieu of all Provincial, State, and Federal statutory warranties and the conditions herein are in substitution and replacement of which warranties, statutory or otherwise.

E.H. Price Sales, a division of E.H. Price Limited

Lithographed in Canada 2011

AIR DISTRIBUTION PRODUCTS FOR WORLD CLASS CITIES

www.ehpricesales.com